

Supplementary to the Wiesbaden Congress & Marketing GmbH (WICM GmbH) Technical Guidelines and Safety Regulations. This information sheet provides only a summary. Please observe the WICM GmbH Technical Guidelines and Safety Regulations strictly.

Content

1. Suspended items in the Wiesbaden Congress & Marketing GmbH buildings..... Fehler! Textmarke nicht definiert.	
1.1. Suspended items generaln	2
1.2. Documents for submission.....	2
1.3. Special RheinMain CongressCenter requirements	2
1.4. Special Kurhaus requirements	2
1.5. Special Jagdschloss Platte requirements.....	3
2. Legal bases	3
3. Installation of loads	3
4. Use of traverse systems	3
4.1. Potential equalisation on metal constructions	3
5. Hoists	4
5.1. Electric chain hoists.....	4
5.2. Manual chain hoists	5
6. Secondary safety component & safety rope "safeties"	5
7. Working equipment	5
7.1. Rope end connections / wire rope holders	6
7.2. Wire rope with cable eye stiffener	6
7.3. Round slings	6
7.4. Impermissible attachment gear and impermissible rope end connections	6
8. Overview of possible suspension points	7
8.1. Kurhaus Friedrich-von-Thiersch-Saal	7
8.2. RheinMain CongressCenter ground floor North	8
8.3. RheinMain CongressCenter ground floor South	8
8.4. RheinMain CongressCenter ground floor foyer central	9
8.5. RheinMain CongressCenter 1. floor North	9
8.6. RheinMain CongressCenter 2. floor South	10
9. Brief informationen.....	11

1. Suspended items in the Wiesbaden Congress & Marketing GmbH buildings

1.1. Suspended items general

Suspended items shall be in compliance with the WICM GmbH Technical Guidelines and Safety Regulations. The suspended items set up shall only bear the loads provided in the order. Suspended items are not permitted outside of production and exhibition areas as a matter of principle.

All loads require the registration with and approval of WICM GmbH. Any costs incurred for a necessary static assessment shall be charged to the ordering party.

The lowest point of a suspended item shall be 2.30 m above the hall floor.

WICM GmbH reserves the right to require the use of load measuring systems on a case by case basis. The costs incurred shall be charged to the ordering party. The installation and monitoring shall be performed by the WICM GmbH service partner.

1.2. Documents for submission

The following information is required by WICM GmbH and their service partners at the latest six weeks before construction begins:

- Dimensioned drawing with the positions of the desired suspension points
 - Clear position of the stand, the event area in the drawing (direction, neighbouring stand...)
- Suspension loads per suspension point
- Planned assembly aid ("genie" lift, manual chain / electric chain hoists)
- Where applicable, desired transfer height of the suspension points
- For statically indeterminate systems: (see sector standard SQP2)
 - Load plan of total, individual and linear load
 - A static certificate

1.3. Special RMCC requirements

Items shall only be suspended from the hall roof by WICM GmbH or their service partner. The load-bearing capacity of the suspension points in the different rooms varies between 150 kg and 1250 kg. (see 8.2 - 8.6)

1.4. Special requirements Kurhaus Wiesbaden

Ordering a rigger from WICM GmbH to be present during construction and dismantling is obligatory. Load measuring systems shall be provided by WICM GmbH. We can provide an individual offer for suspension points incl. load measuring systems and riggers. Please let us know the number of suspension points as well as the times for the rigger at the latest six weeks before construction begins.

The load-bearing capacity of the suspension points is 230 kg plus load measuring system. (see 8.1)

1.5. Special requirements Jagdschloss Platte

It is not possible to use suspended items in the Jagdschloss Platte.

2. Legal bases

The company shall only deploy personnel that uses working equipment for holding loads above persons if they are adequately qualified to do so. The pertinent safety regulations and the accepted rules of engineering shall be observed in relation to the provision and use of attachment gear, load handling attachments, hoists, lifting gear, fasteners, rope end connections, secondary safety components and the potential equalisation.

- DGUV provision 1 / 3 / 17 / 54
- DGUV rule 109-005 – use of wire rope slings
- DGUV information 215- 310/313/314/315
- IGWW SQP1 – traverses
- IGWW SQP2 – electric chain hoists
- IGWW SQP4 – Mobile electric equipment in event technology
- IGWW SQQ2 – expertise in event rigging
- IGWW SQQ2 – event rigging – organisation and work procedures

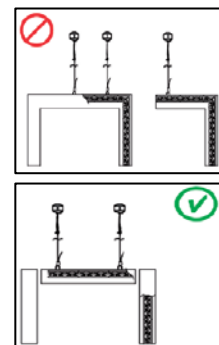
The currently effective version of the respective regulations shall be independently checked and implemented on-site. This excerpt is an overview and makes no claim to completeness.

3. Installation of loads

The installed loads (lighting supports, spotlights, projectors, loudspeakers, decorations etc.) shall only be installed by qualified personnel, specialized companies or the service partner in accordance with the applicable legal standards and using the latest technology. The requirements of DGUV provision 17, DGUV information 215-310 and IGWW SQQ2 shall be observed when selecting qualified personnel on-site and the supervisor. Proof of the above-mentioned qualification shall be presented upon request.

The following is not generally permitted:

- Supports for stand components or exhibits (stand components and exhibits shall stand securely without supports)
- Suspended constructions with a fixed or load-bearing connection to the hall floor (positioned constructions that are additionally connected by suspensions to the roof girder)
- Diagonal skew in suspended items
- Exceptions require the advance written approval of WICM GmbH



4. Use of traverse systems

The requirements of DGUV information 215-313 and the sector standard SQP1 shall be observed when using traverse systems. The type of use can be a suspended or flying or raised truss or traverse construction. Traverse constructions that do not fulfil the load conditions of a single span girder can require a static certificate at the expense of the ordering party.

4.1. Potential equalisation on metal constructions

All metallic conductive constructions that can carry hazardous contact voltages shall be equipped by the constructor of the system with additional protective equipotential bonding of at least 10 mm²) (VDE 0100, part 711). Proof of the function shall be provided.

5. Hoists

5.1. Electric chain hoists

- Electric chain hoists shall only be used at suspension points if included in the order
- The use of these hoists is subject to the requirements for electric chain hoists in event technology (IGVW SQP2)
- The tare weight of the electric chain hoists and the dynamic coefficients shall be included in the load plan accordingly in order to prevent overload of the suspension points
- The inspection documentation shall be presented upon request and shall be kept on-site for the entire duration of production
- The rated capacity provided by the manufacturer shall not be exceeded at any time during use
- Electric chain hoists shall only be used in an inspected condition and shall display a relevant inspection badge
- Electric chain hoists shall be hung such that the chain does not abut anywhere and cannot become sloped
- For climbing hoists, the chain shall be able to run safely into the chain box. Care shall be taken that the chain can run in and out even without a load
- The motion process of electric chain hoists and the load shall be monitored by the operator
- The D8 electric chain hoist in accordance with DGUV rule 54 is not permissible for holding and moving loads above persons. A D8 chain hoist shall only be used to lift loads during construction and dismantling in event and production technology. A secondary safety component shall be installed and the chain hoist disconnected from voltage after completion of the load movement. Secondary safety components that do not allow dropping distance shall be used (see fig.1)
- The D8 Plus electric chain hoist is not permissible for the movement of loads above persons. Loads at rest can be held without secondary safety components above persons, in which case the electric chain hoist shall be disconnected from voltage. The D8 Plus chain hoist shall be visibly designated as such

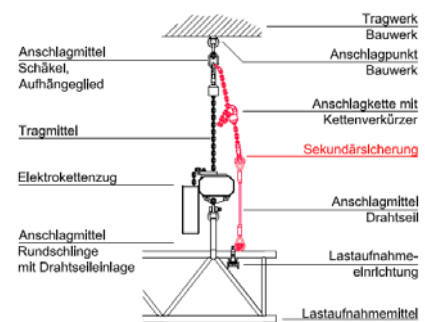
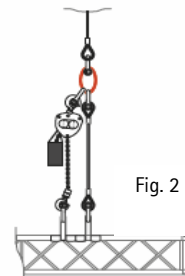


Fig. 1

5.2. Manual chain hoists

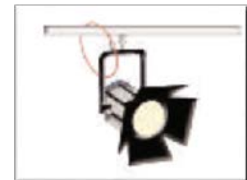
- Manual chain hoists shall only be used at suspension points if included in the order
- Load movements with manual chain hoists above persons are not allowed
- The rated capacity provided by the manufacturer shall not be exceeded at any time during use
- When moving loads, all manual chain hoists shall be manned at the same time. The load shall be moved as synchronously as possible
- A maximum of four manual chain hoists in one system are allowed simultaneously for linear and distributed loads. However, this type of use is only permitted if the load between two manual chain hoists is at most equal to half of the permissible maximum load (maximum load defined by the manufacturer of the manual chain hoists or by static calculation)
- The tare weight of the manual chain hoists and the dynamic coefficients shall be included in the load plan accordingly in order to prevent overload of the anchor points
- A chain box approved for the chain hoist shall be available
- The load chain shall not be used to fix loads
- After construction and set-up, the manual chain hoist shall carry no loads ("hanging limp") and be replaced by a suitable sling (e.g. steel rope) (see fig. 2)



Manual chain hoists are not provided by the WICM GmbH service partner.

6. Secondary safety component & safety rope („Safeties“)

Spotlights, loudspeakers, effects devices etc. shall be secured with a second separate safety component (safety rope) as a matter of principle. The DGUV information 215-313 shall be complied with when dimensioning the safety rope. The length of the secondary safety component shall be such that dropping distance is precluded. If a dropping distance is unavoidable, this shall be kept as short as possible.



7. Working equipment

The manufacturer of working equipment that is used as safety components or attachments and load attachment devices provide the load-bearing capacity or the minimum breaking force. The following applies to holding loads above persons:

If the load-bearing capacity (WLL) is provided, this piece of equipment shall be loaded to maximum half of this value

If the minimum breaking force is provided, this value shall be divided by the required working coefficient in order to attain the maximum permissible load-bearing capacity. Working equipment, for which the load-bearing capacity for holding loads above persons are certified, shall be used according to the manufacturer's specifications.

7.1 Rope end connections / wire rope holders

For example, type 66 SV III only with statutory inspection certificate. Please note that this type of wire rope holder is not suitable for dynamic loads and therefore shall not be used with hoists! The manufacturer's user information shall be complied with.



7.2 Wire rope with cable eye stiffener

The minimum diameter for the hoist operation is 8 mm. Special care shall be taken that the curved end of the rope has a cable eye stiffener. Wire rope loops without cable eye stiffeners shall not be used as a matter of principle. No wire ropes with fixed (immovable) plastic wire rope sheath shall be used. It shall be possible to fully inspect the rope by sliding the sheath.



7.3 Round slings

Identification with a label is mandatory.

Required information:

- Manufacturer
- Load-bearing capacity
- CE label
- Standard
- Year of manufacture



Due to their material properties, round slings made of synthetic fibre shall only be used for loads above persons in combination with an adequately dimensioned metallic secondary safety component. Round slings with steel reinforcement do not require a special secondary safety component.

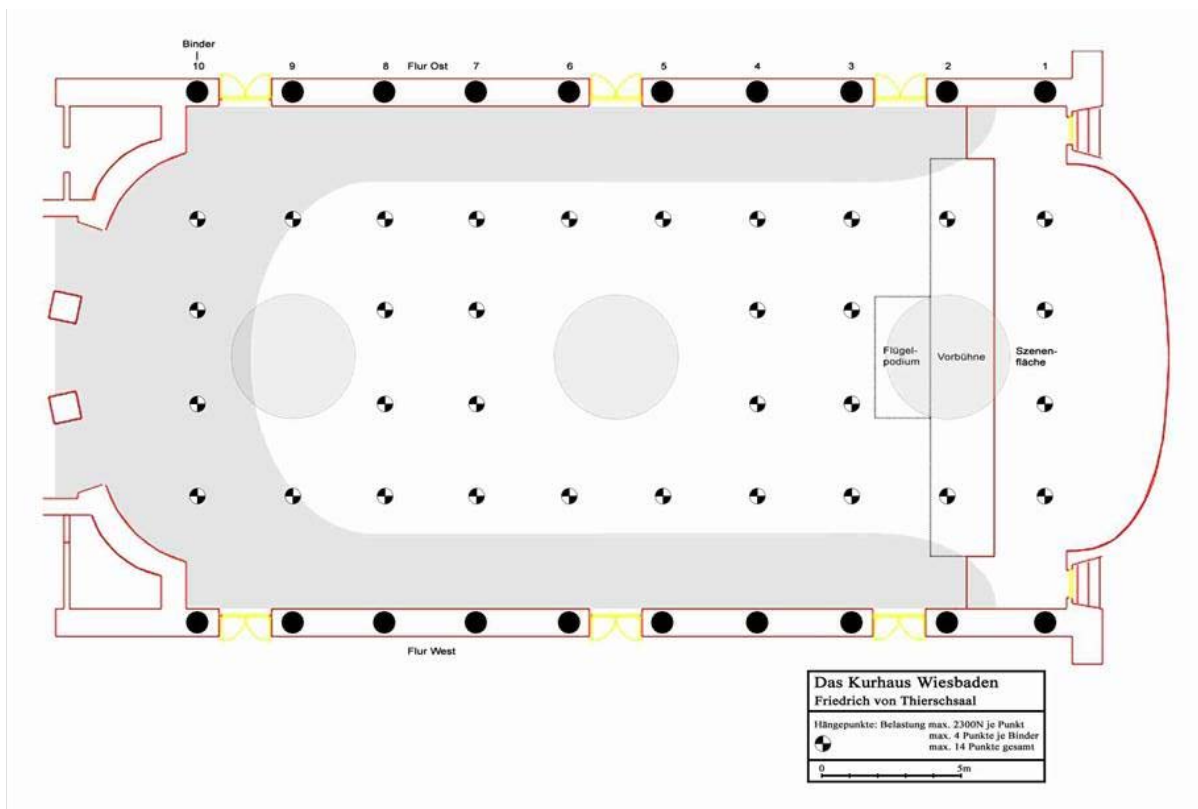
7.4 Impermissible attachments gear and impermissible rope end connections

- Unapproved wire ropes, that is, those that do not comply with the wire ropes specified in the item "Permissible attachment gear"
- Wire ropes without sheathing (sheathing > 1/3 rope length)
- Double pitch chains (internal length of the chain link > 3 times nominal diameter of the chain material) are not suitable for attaching
- Cable ties without the use of a secondary safety component consisting of a steel wire rope with cable eye stiffener and ferrule as well as a fastener (DIN 56927)
- Unapproved wire rope holders
- Open hooks
- Turnbuckles – open form in accordance with DIN 1480
- Quick link with union nut (quick chain link) without load-bearing capacity information
- Damaged attachment gear (e.g. kinked rope, slings with damaged sheath, slings without recognisable labeling)
- Other fasteners without load-bearing capacity information

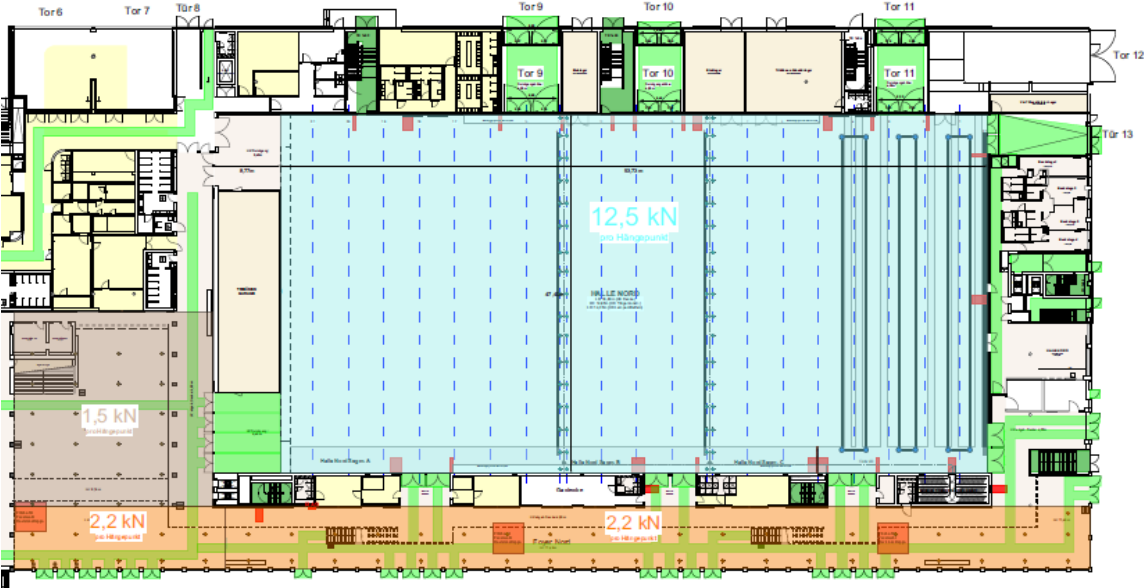


8. Overview of possible suspension points

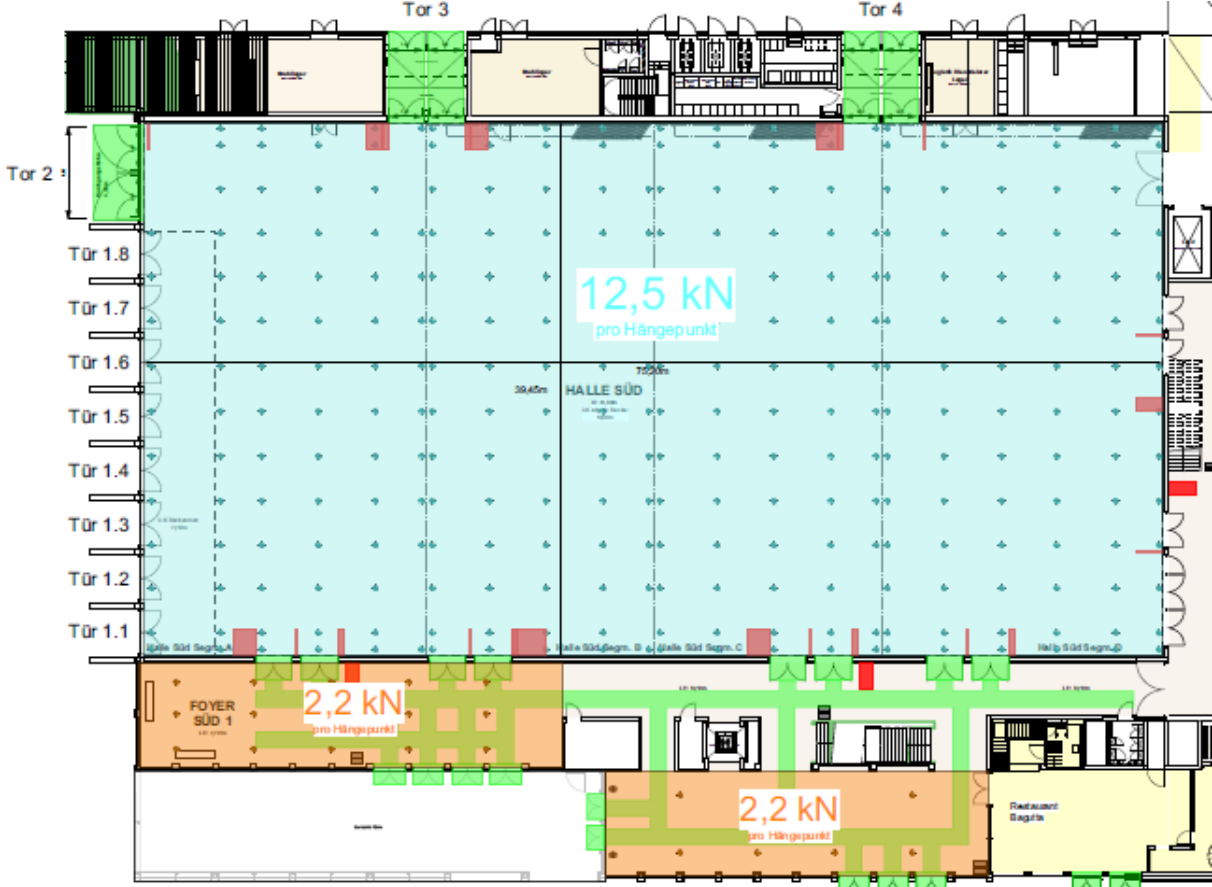
8.1 Kurhaus Friedrich-von-Thiersch-Saal



8.2 RheinMain CongressCenter ground floor North



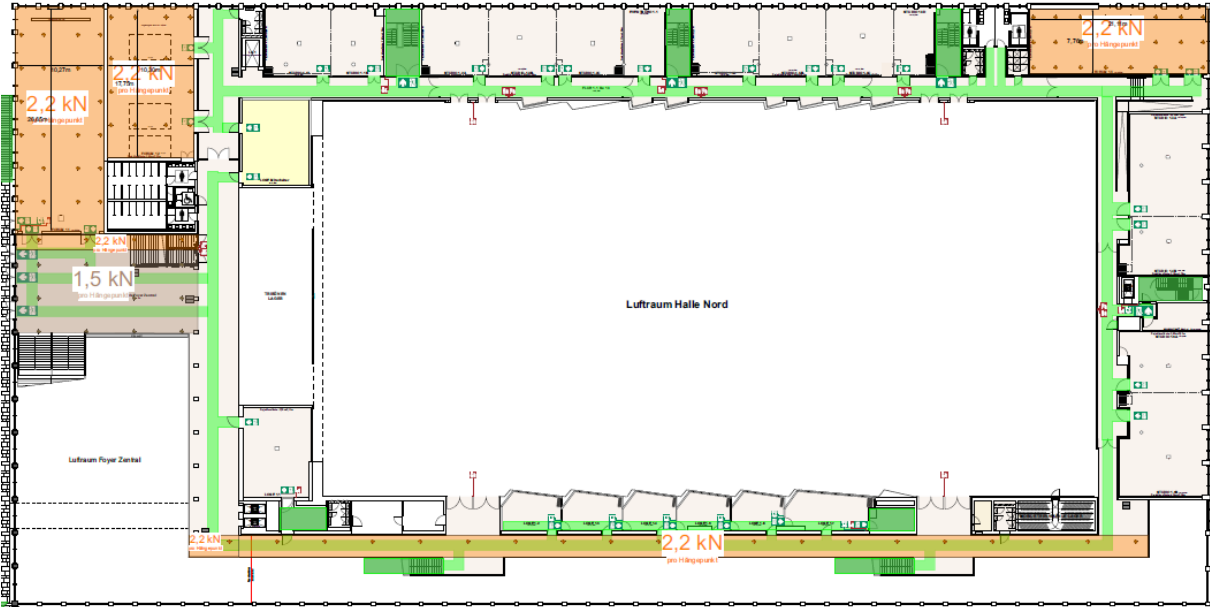
8.3 RheinMain CongressCenter ground floor South



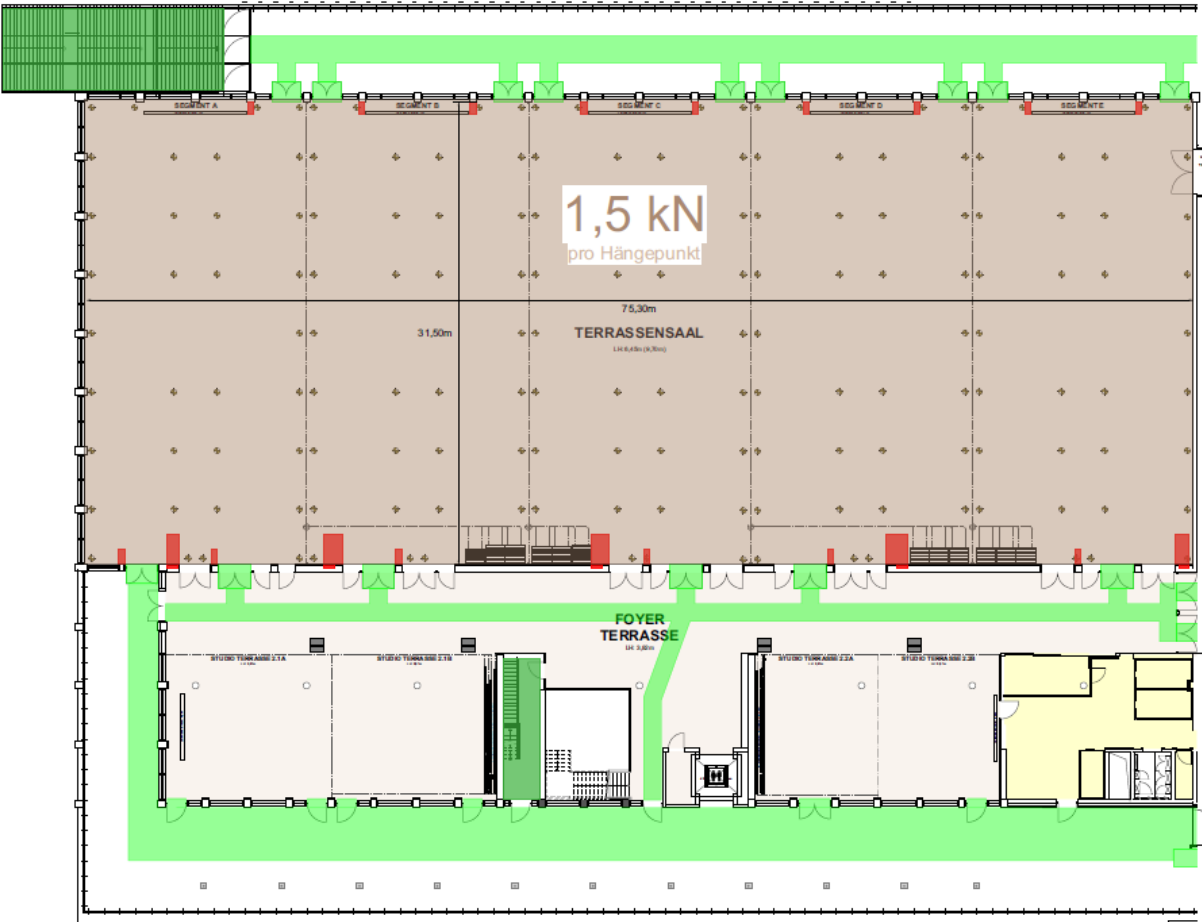
8.4 RheinMain CongressCenter ground floor foyer central



8.5 RheinMain CongressCenter 1. floor North



8.6 RheinMain CongressCenter 1. floor South



9. Brief information

Zulässig

ENDHÖHE – Handkettenzug lastfrei



Maximal vier im verbundenen System



Synchronität Handkettenzug



Unzulässig

ENDHÖHE – Last in Handkettenzug



Mehr als vier im verbundenen System

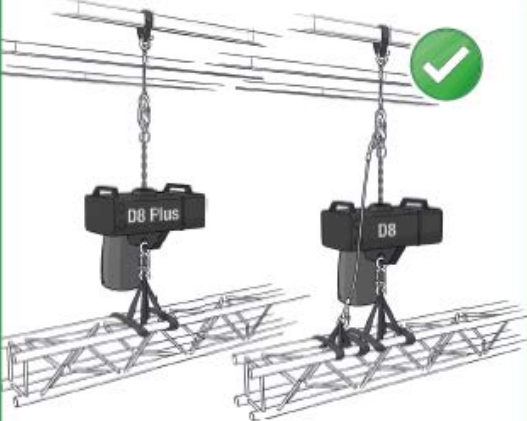


Asynchronität Handkettenzug

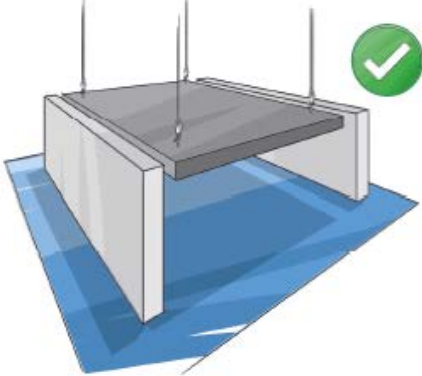


Zulässig


Sicherung Elektrokettenzug (D8 Plus und D8)



Abgehängte Konstruktion entkoppelt



Arbeitsmittel



Anschlagkette:
verkürzbar – mit Trag-
fähigkeitsangabe (WLL)
nach DIN EN 818-1

Stahlseil nach
DIN EN 12385-4

Drahtseilhalter
mit 6-Kugeln und
„DGUV Text“-Zertifikat,
verklebt, schwarz

Seilschlösser
nach DIN 15315
und DIN 4314

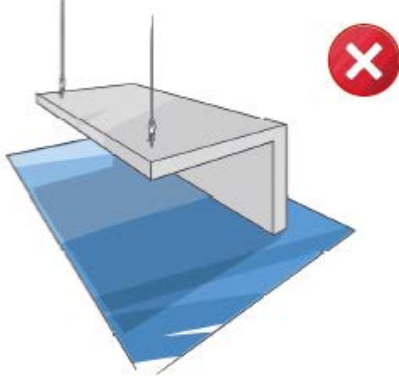
Schnellverbindungs-
glied mit Überwurf-
mutter und WLL
nach DIN 56927

Unzulässig


Ungesicherter Elektrokettenzug (D8)



Stehend-hängende Konstruktion unzulässig



Unzulässige Arbeitsmittel



Seilklemme nach
DIN EN 13411-5

Textilseil

Karabinerhaken
verschraubt /
unverschraubt

Ketten
langgliedrig

We will be happy to assist you with any general questions.

Wiesbaden Congress & Marketing GmbH | Postfach 38 40 | 65028 Wiesbaden

RheinMain CongressCenter: veranstaltungstechnik@wicm.de

Kurhaus Wiesbaden: vat-khs@wicm.de

Jagdschloss Platte: jagdschloss-platte@wicm.de